

# Specification

Specification defines the quality, effectiveness and compliance of any new build. At Showersave we aim to assist in that process because our goal has always been to simplify the challenges faced by all specifiers.

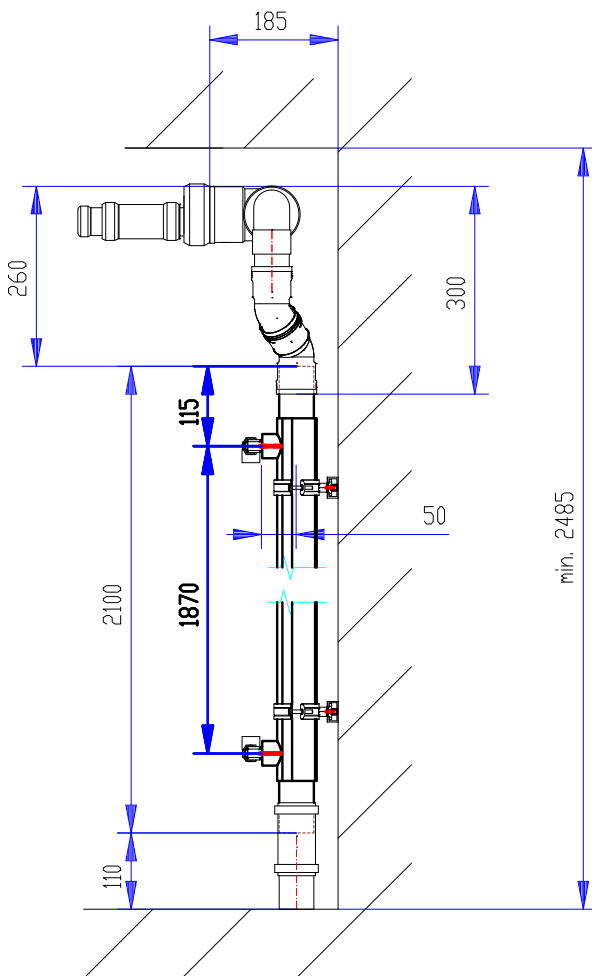
Our innovative and wonderfully simple waste water heat recovery system, will significantly impact on all elements of your building project, including the quality of the build, the delivery of cost effective living and overall regulatory compliance.

Product efficiency as certified by KIWA

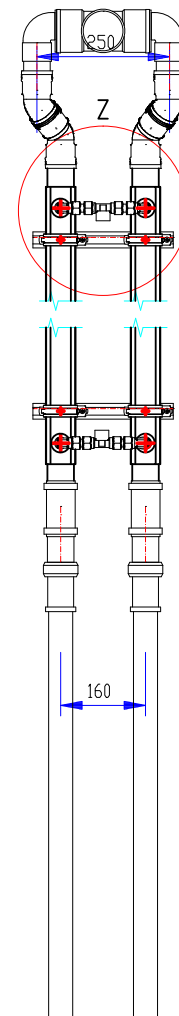


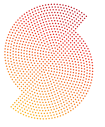
Class	Flow (l/min)	Volume (l)	Efficiency (%)	Flow resistance (ΔP) (bar)
3	9.2	73	70.4	0.13
4, 5, 6	12.5	100	69.3	0.20

**Fig. 1 Side View**



**Fig. 2 Front View**





# Showersave QB1-21D

Components included as standard



## Heat Exchanger

Manufacturer	Quantity	Description	Material	Colours	Diameter
Q Blue	1	Showersave QB1-21D	Copper	-	50mm

## Top Connector Rotator

Manufacturer	Quantity	Description	Material	Colours	Diameter
Wavin	1	75mm Tee 88°	PVC	Grey	75mm
Wavin	3	75 x 50 reducer	PVC-U	Grey	75mm
Wavin	2	50mm 88° bend S/SP	PVC-U	Grey	50mm
Wavin	3	50mm pipe 97mm	PVC	Grey	50mm
Wavin	2	50mm 45° bend S/SP	PP	White	50mm
Wavin	2	50mm 45° bend S/S	PP	White	50mm
Wavin	1	50mm Straight connector S/S	PP	White	50mm
Wavin	1	Osma W ABS expansion socket	ABS	White	50mm

## Bottom Connection

Manufacturer	Quantity	Description	Material	Colours	Diameter
Wavin	2	50mm Straight connector S/S	PP	White	50mm

## Pipe Brackets

Manufacturer	Part Number	Description	Material	Colours	Diameter
		Brackets and fixing	EPDM, steel		50mm

